

JT-CELL200

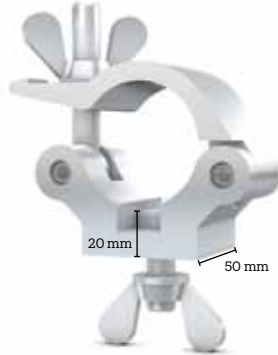
- Designed to fit 48mm (1 7/8") to 51mm (2") truss tubes
- Precision extruded high tensile aluminium alloy
- Compatible with JT30/JT30H/JT40H/GP30/GP52/ST30/ST52/ST76R/LP60 truss series
- CE certified
- Rated with Safety Factor 8:1 DGVU17/BGVC1 (SWL)
- Mounting hole for up to 13mm (1/2") bolts
- Polished surface with micro-percussion markings
- Powder coated versions available on request



JT-CELL201

kg	lbs	kg	lbs	mm	in
SWL		Weight		Tube	
650	(1433)	0.50	(1.10)	48-51	(1 7/8"-2")

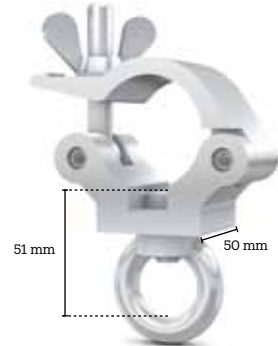
Basic truss clamp



JT-CELL202

kg	lbs	kg	lbs	mm	in
SWL		Weight		Tube	
650	(1433)	0.59	(1.30)	48-51	(1 7/8"-2")

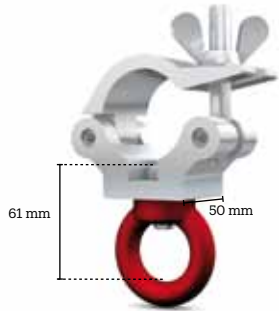
Truss clamp with bolt+ wingnut



JT-CELL203|340Kg

kg	lbs	kg	lbs	mm	in
SWL		Weight		Tube	
340	(750)	0.65	(1.43)	48-51	(1 7/8"-2")

Truss clamp with lifting eye



JT-CELL203|650Kg

kg	lbs	kg	lbs	mm	in
SWL		Weight		Tube	
650	(1433)	1.00	(2.20)	48-51	(1 7/8"-2")

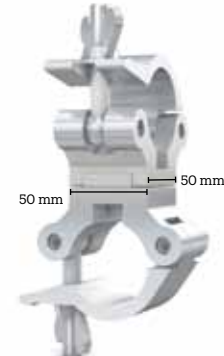
Truss clamp with lifting eye



JT-CELL204

kg	lbs	kg	lbs	mm	in
SWL		Weight		Tube	
540	(1190)	1.00	(2.20)	48-51	(1 7/8"-2")

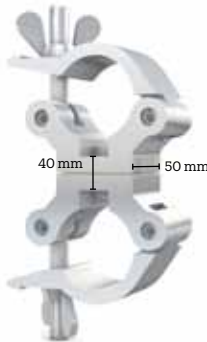
Swivel truss coupler



JT-CELL205

kg	lbs	kg	lbs	mm	in
SWL		Weight		Tube	
540	(1190)	1.00	(2.20)	48-51	(1 7/8"-2")

90° fixed truss coupler



JT-CELL206

kg	lbs	kg	lbs	mm	in
SWL		Weight		Tube	
540	(1190)	1.00	(2.20)	48-51	(1 7/8"-2")

Parallel truss coupler



JT-CELL207

kg	lbs	kg	lbs	mm	in
SWL		Weight		Tube	
560	(1234)	0.30	(0.66)	48-51	(1 7/8"-2")

Slim truss clamp basic



JT-CELL208

kg	lbs	kg	lbs	mm	in
SWL		Weight		Tube	
560	(1234)	0.39	(0.86)	48-51	(1 7/8"-2")

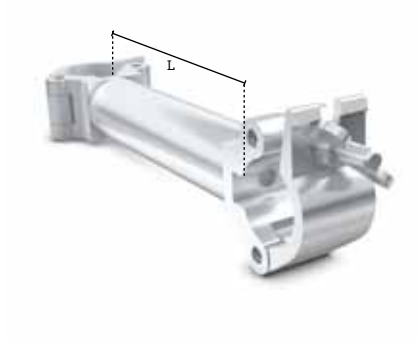
Slim truss clamp with bolt + wingnut



JT-CELL209

mm	in	mm	in
Tube		Length	
48-51	(1 7/8"-2")	L1 250	(9 53/64")
		L2 500	(19 43/64")
		L3 1000	(39 23/64")

Extended parallel coupler



JT-CELL210

mm	in	mm	in
Tube		Length	
48-51	(1 7/8"-2")	L1 250	(9 53/64")
		L2 500	(19 43/64")
		L3 1000	(39 23/64")

Extended 90° fixed coupler



JT-CELL211

kg	lbs	kg	lbs	mm	in
SWL		Weight		Tube	
780	(1720)	0.65	(1.43)	48-51	(1 7/8"-2")

Side clamp



JT-CELL212

kg	lbs	kg	lbs	mm	in
SWL		Weight		Tube	
410	(904)	1.00	(2.20)	48-51	(1 7/8"-2")

Slim slide clamp



JT-CELL213

mm	in	mm	in
Tube		Length	
48-51	(1 7/8"-2")	L1 250	(9 53/64")
		L2 500	(19 43/64")
		L3 750	(29 33/64")

Horizontal attachment